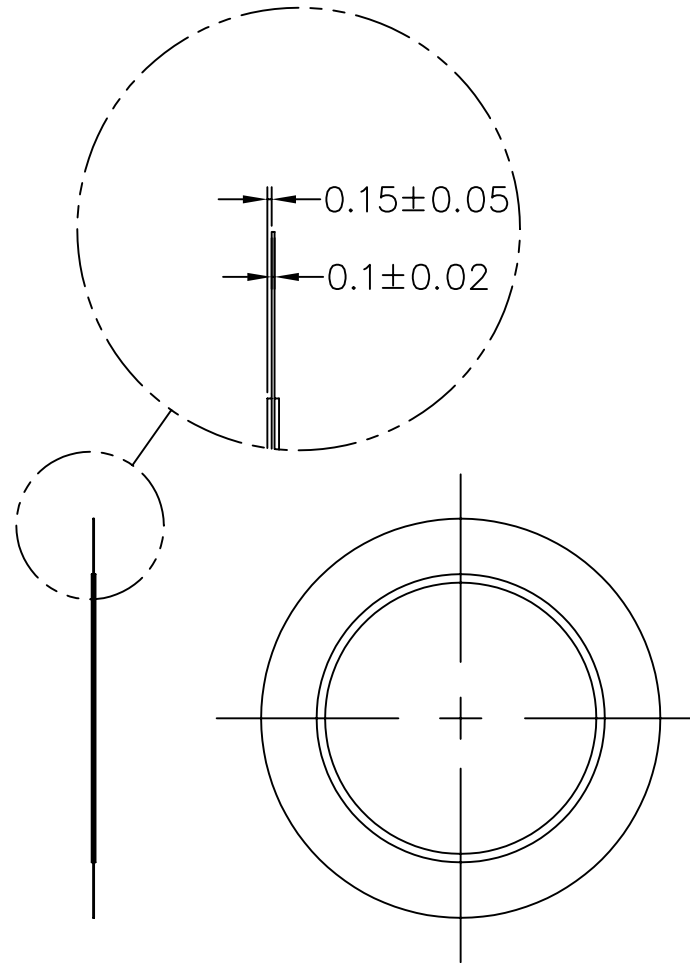
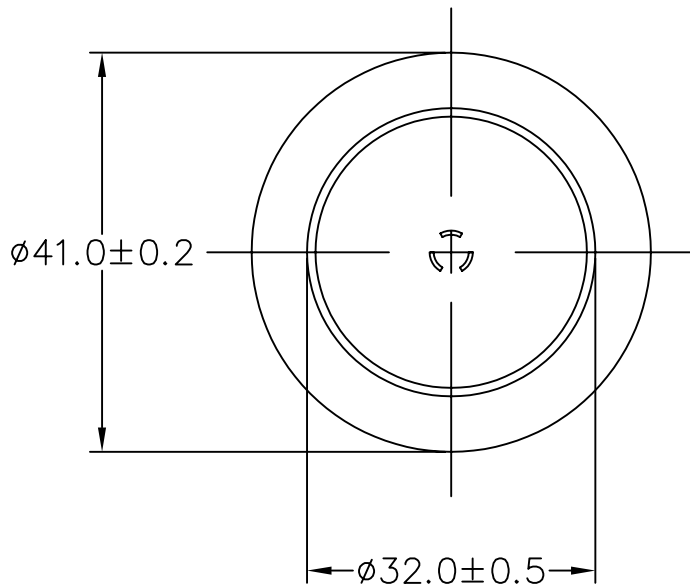


THIS DOCUMENT CONTAINS DATA PROPRIETARY TO PROJECTS UNLIMITED, INC. ANY USE OR REPRODUCTION, IN ANY FORM, WITHOUT PRIOR WRITTEN PERMISSION OF PROJECTS UNLIMITED, INC. IS PROHIBITED.
© 2003, Projects Unlimited Inc.

SPECIFICATIONS

PARAMETERS	VALUES	UNITS
RESONANT FREQUENCY	1,300±500	Hz
RESONANT IMPEDANCE (MAX)	200	Ohm
MAX INPUT VOLTAGE	30	Vp-p
CAPACITANCE @ 1KHz	150,000±30%	pF
PLATE MATERIAL	BRASS	-
OPERATING TEMPERATURE	-20 ~ +60	°C
STORAGE TEMPERATURE	-20 ~ +70	°C


REVISIONS			
LTR	DESCRIPTION	DATE	APPROVED
-	RELEASED FROM ENGINEERING	10/25/04	
A	REVISED DIMENSION SIZE AND STYLE	01/30/06	B.R.



NOTES:

1. ALL DIMENSIONS ARE IN MILLIMETERS.
2. SPECIFICATION SUBJECT TO CHANGE OR WITHDRAWAL WITHOUT NOTICE.

FILE NAME
AB4113B.DWG

UNLESS OTHERWISE SPECIFIED: DIMENSIONS ARE IN MILLIMETERS, TOLERANCES ARE ±0.5 AND ANGLES ARE ±3°.		 projects® unlimited Dayton, Ohio							
<table border="1"> <tr> <th>APPROVALS</th> <th>DATE</th> </tr> <tr> <td>DRAWN <i>R.A.C.</i></td> <td>10/04</td> </tr> <tr> <td>APPROVED <i>R.W.</i></td> <td>10/04</td> </tr> </table>		APPROVALS	DATE	DRAWN <i>R.A.C.</i>	10/04	APPROVED <i>R.W.</i>	10/04	PIEZO CERAMIC BENDER AB4113B	
APPROVALS	DATE								
DRAWN <i>R.A.C.</i>	10/04								
APPROVED <i>R.W.</i>	10/04								
		SIZE A	DRAWING NO. AB4113B						
DO NOT SCALE DRAWING		SCALE: N.T.S.	SHEET 1 OF 1						